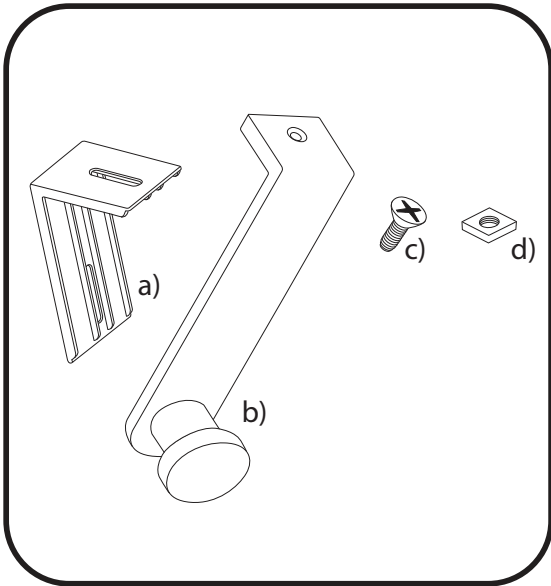


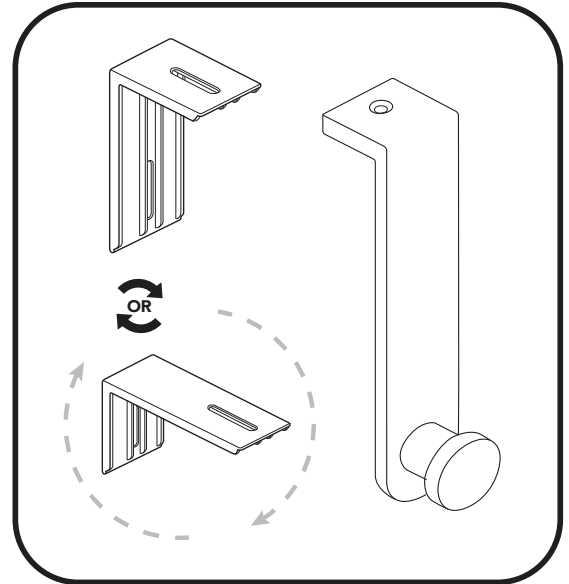
Storex adjustable panel mounted hook assembly instructions

1



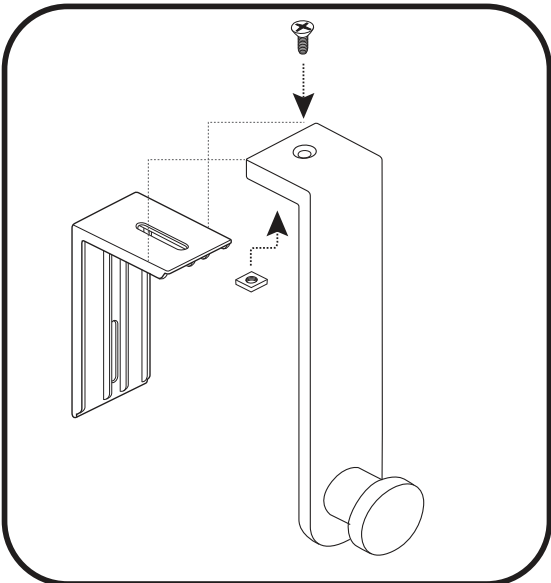
Includes:
a) Bracket, b) Hanger c) Screw d) Nut

2



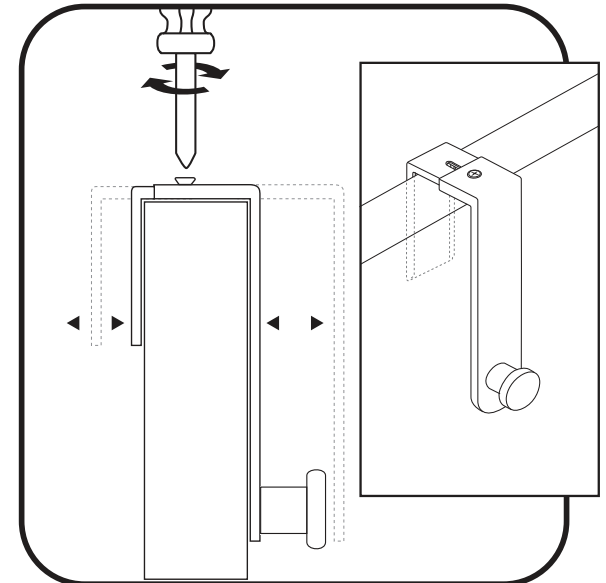
Select Bracket side according to your wall thickness. For thicker panels/walls, you will need to select the longer leg of the bracket.

3



Line up the holes of the Bracket and Hanger and loosely thread the nut on the screw.

4



Adjust sides of the hanger to the panel/wall, screw until tight.